

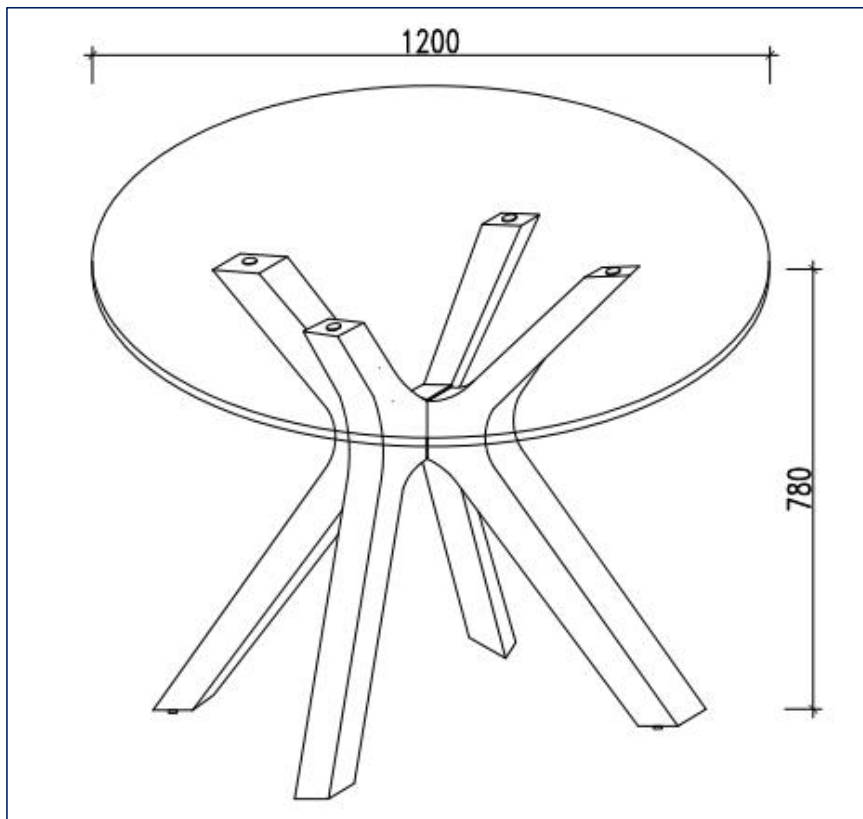


## ASSEMBLY INSTRUCTION

### GENEVIEVE DINING TABLE

ITEM CODE 70157

Imported by Amart Furniture Pty Ltd, Qld, Brisbane Australia.  
For any assistance with assembly or for missing parts please phone  
Amart Furniture, Customer Service Free call 1800 351 084





Imported by Amart Furniture Pty Ltd, Qld, Brisbane Australia.  
For any assistance with assembly or for missing parts please phone  
Amart Furniture, Customer Service Free call 1800 351 084

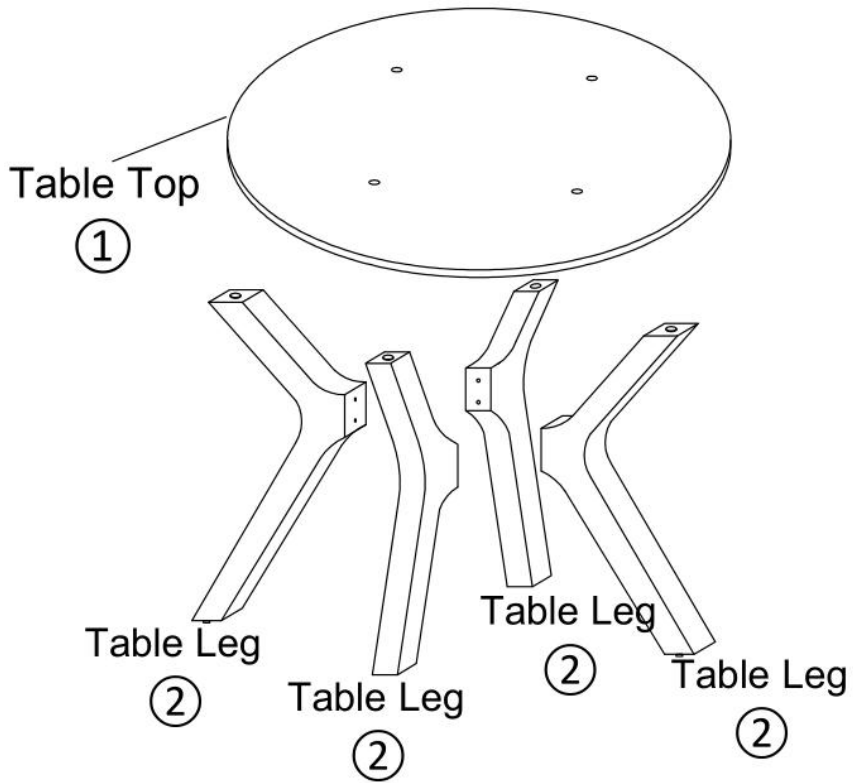
## PRE-ASSEMBLY PREPARATION

### Before you start:

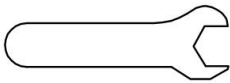
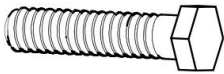
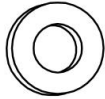
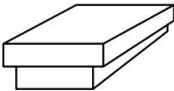


1. Choose a clean, level, spacious assembly area. Avoid hard surfaces that may damage the product
2. Take care when lifting. Product should be assembled as near as possible to the point of use
3. Ensure that you have all required contents for complete assembly
4. Always read the assembly instructions carefully before beginning assembly.
5. Keep all hardware parts and packaging out of reach of small children.
6. Do not over tighten the screws and bolts as this may damage the threads

|   |  |
|---|--|
|  |  |
| ALLOW <sup>20</sup> MINUTES   | PEOPLE REQUIRED  |

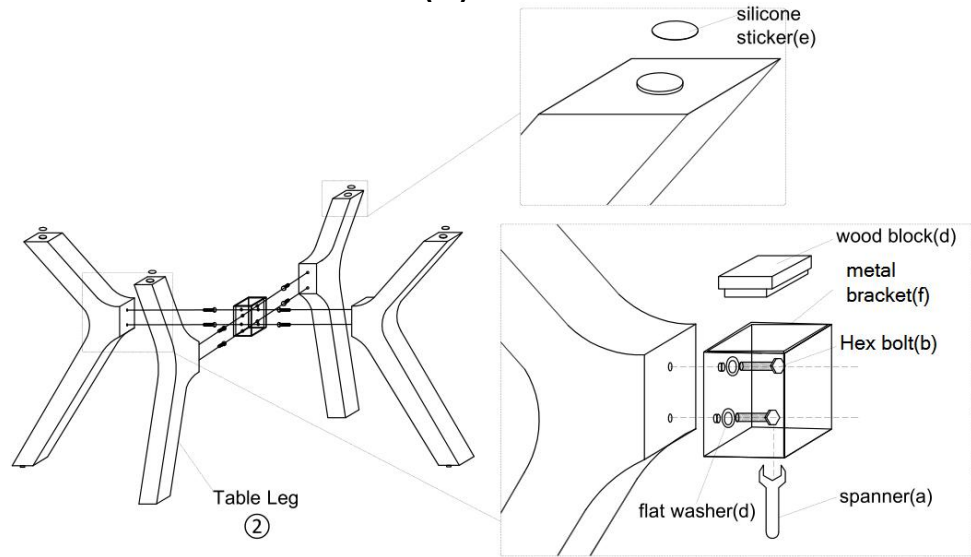
# PARTS LIST



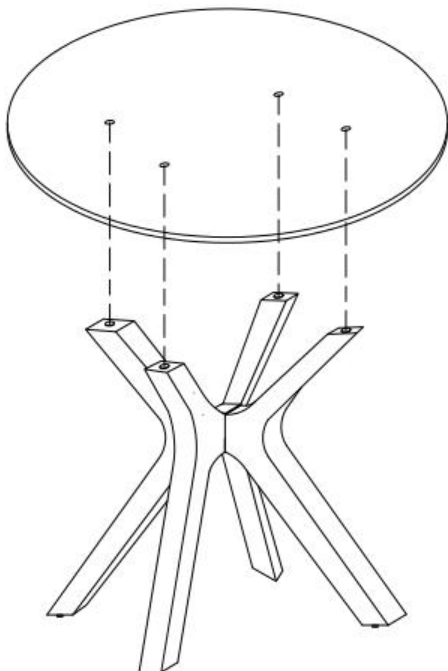
|   |           |
|---|-----------|
| 1 | TABLE TOP |
| 2 | TABLE LEG |

|  |   |  |
|--|---|--|
| <p>a. Spanner<br/>1 PCS</p>     | <p>b. Hex Bolt M8x20<br/>8 PCS</p>     | <p>c. Flat Washer<br/>8 PCS</p>    |
| <p>d. Wood block<br/>1 PCS</p>  | <p>e. Silicone stickers<br/>4 PCS</p>  | <p>f. Metal bracket<br/>1 PCS</p>  |

**STEP 1:** Fasten metal bracket (f) to table legs ② with hex bolts (b) and flat washers (c). Do not fully tighten the hex bolts, make sure the legs are level and even before fully tightening. Place wood block(d) into the metal bracket(f). Remove the yellow film backing from the silicone stickers (e) and stick to the stainless steel plates.

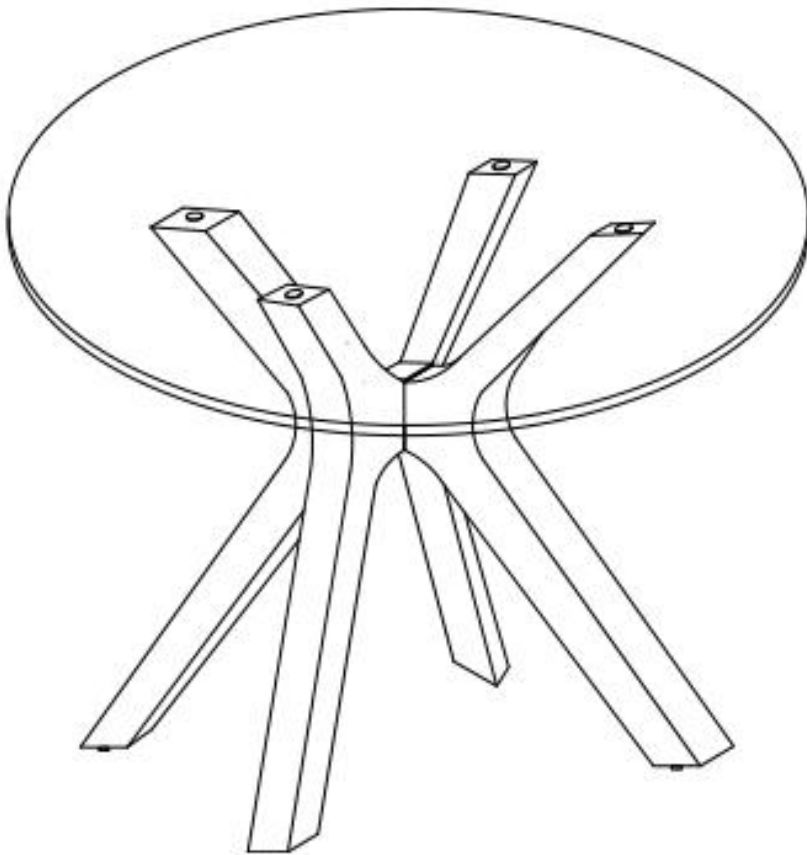


**STEP 2:** Peel the white film backing from the silicone stickers(e) and with 2 people, place the glass table top ① on top of the legs ②.



**Note:** The glass is marked for easy alignment with the silicone stickers. These can be easily wiped away after the table is assembled.

STEP 3: Use glass cleaner to remove the silicone guide marks and any fingerprints from assembly.  
Assembly is complete.



## CARE AND MAINTENANCE

### Glass

If the glass is chipped or broken, stop using the product and consult place of purchase

#### WARNING:

- Do not place very hot or cold items on the glass surface unless adequately thick table mats are used to prevent such items coming in contact with the glass
- Do not sit or stand upon the glass surface
- Do not use the glass as a chopping surface
- Do not strike the glass with hard or pointed items
- When cleaning the glass panels use a damp cloth or leather with washing up liquid or soft soap if necessary. Do not use washing powders or any other substances containing abrasives since these may scratch the glass

### Timber

As our timber is supplied from sustainable forests there will be natural variations in surface texture and grain like knots, mineral streaks and sap runs that may affect the finish. These differences in character are not defects, but distinctions that make each piece of furniture unique

Our furniture is built to last. Following these steps for basic care should protect your investment for years to come

- Dust frequently with a clean damp lint-free cloth. This will help remove abrasive build up which can damage a finish over time
- Do not place hot objects on any furniture surface. Always use a hot plate or placemat. Laminate and lacquer finishes on table tops provide added scratch and heat resistance to our furniture, but they can still be damaged without proper care
- Avoid exposing your furniture to strong sunlight, heat outlet, open windows or dampness. Prolonged exposure to direct sunlight can fade the finish of your furniture, while extreme temperature and humidity changes can cause cracking or splitting
- Do not expose your furniture to any liquids. Never allow water to sit on your furniture. Alcohol, nail polish and perfume are also dangerous as they will dissolve the lacquer finish on contact and may require professional repairs
- Do not allow plastic to come in direct contact with your furniture. Chemicals in the plastic of placemats etc. may soften and mark the finish if left in contact with the furniture for a period of time